

## INDION® Packaged Upflow Softener

The INDION Upflow Softener incorporates the proven technique of counterflow regeneration, which produces treated water with low residual hardness throughout the cycle.

These softeners are specially designed to suit small and medium scale industries.

A strongly acidic cation exchange resin in sodium form is used to exchange sodium ions for hardness-forming calcium and magnesium, and thus produce soft water. At the end of each service cycle, the ion exchange resin is regenerated with sodium chloride solution, after which the unit is ready for the next service cycle.

The unit can be easily assembled and does not require any elaborate foundation. INDION packaged Upflow Softeners are available in a range of different sizes (see Technical Data).

### Advantages

- Easy to install and simple operate
- Consistent treat water quality
- Low regeneration cost
- Low cost of maintenance
- Incorporates high-capacity, bead-type cation exchange resin which is highly stable and has a long life



### Specifications

- One mild steel pressure vessel, complete with internal distribution and collection system, painted internally with anti-corrosive bitumastic paint and externally with a protective coat of red oxide primer
- One charge of ion exchange resin
- One plastic salt-saturation tank
- One set of frontal pipe work, complete with valves and hydraulic ejector
- One hardness test kit

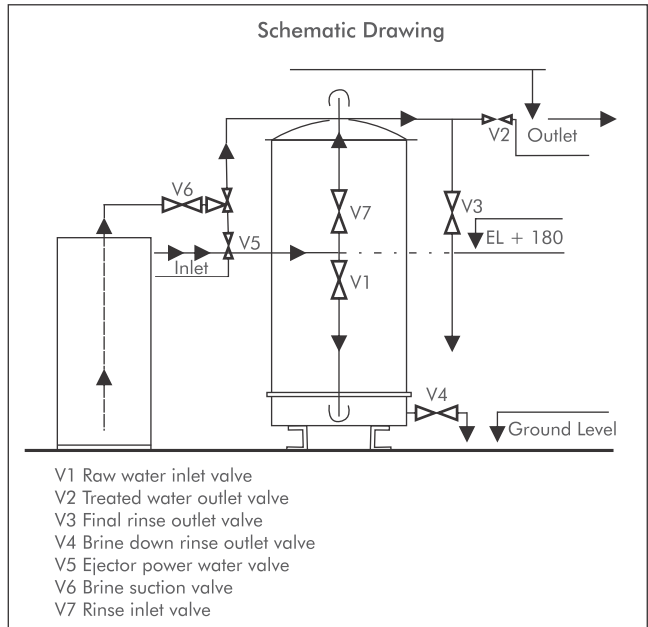
### Application

- Boiler feed
- Textile processing
- Beverage production
- Cooling water make-up
- Hospitals, hotels, laundries and air-conditioning plants

### Technical Data

Model	Flow Rates		Working Pressure		Output per Regeneration *@200 TH m <sup>3</sup>	Treated Water Hardness ppm CaCO <sub>3</sub>	Salt per Regeneration kg
	Min.	Max.	Min.	Max.			
	m <sup>3</sup> /h	m <sup>3</sup> /h	kg/cm <sup>2</sup> g	kg/cm <sup>2</sup> g			
S 600/U	1.9	13	1.7	3.5	103	<5	66.0
S 800/U	3.3	23	1.7	3.5	180	<5	117
S 1000/U	5.2	35	1.7	3.5	280	<5	184

\*Based on feed water hardness of 200 ppm CaCO<sub>3</sub>



**Note:**

1. Feed water should be free from turbidity, organic matter, heavy metals, free chlorine and oil and should be at ambient temperature.
2. Output between regenerations will vary with influent water quality.

To the best of our knowledge the information contained in this publication is accurate. Ion Exchange (India) Ltd. maintains a policy of continuous development and reserves the right to amend the information given herein without notice. Please contact our regional/branch offices for current product specifications.

**INDION** is the registered trademark of Ion Exchange (India) Ltd.



**ION EXCHANGE (INDIA) LTD.**

**Corporate Office**

Ion House, Dr. E. Moses Road, Mahalaxmi,  
 Mumbai - 400011 | Tel: +91 22 6231 2000  
 E-mail: ieil@ionexchange.co.in

**Regional and Branch Offices**

Bengaluru | Bhubaneswar | Chandigarh | Chennai  
 Delhi | Hyderabad | Kolkata | Lucknow | Vadodara  
 Vashi | Visakhapatnam

**International Division**

R-14, T.T.C MIDC, Thane - Belapur Road, Rabale,  
 Navi Mumbai - 400 701 | Tel: +91 22 6857 2400  
 E-mail: export.sales@ionexchange.co.in

**Overseas Offices**

Bangladesh | Canada | Indonesia | Kenya  
 Malaysia | Oman | Portugal | Saudi Arabia | Singapore  
 South Africa | Sri Lanka | Tanzania | Thailand | UAE | USA

**Manufacturing Units**

India - Ankleshwar | Hosur | Patancheru | Rabale | Verna | Wada

Overseas - Bangladesh | Indonesia | Saudi Arabia | UAE

All India Service and Dealer Network

[www.ionexchangeglobal.com](http://www.ionexchangeglobal.com)

